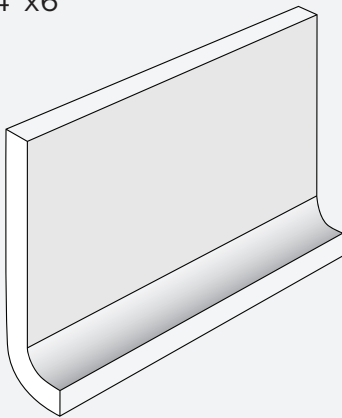


Cove Base Trim Spec Sheet

Mercury Mosaics creates handcrafted ceramic tile, which may vary slightly in color, size, texture and finish. These characteristics are not flaws but part of what makes each piece of tile unique and one-of-a-kind. We are a female founded and owned company where all products are manufactured in Minneapolis, MN.

COVE BASE TRIM
4"x6"



Material: Ceramic

Approximate single piece size: 4"x6"

Tile pieces per linear ft: 2

Thickness: .75"

Availability: Made to order

APPLICATION

Applications for Residential + Commercial
Including low-traffic floor, wall, bathroom, backsplash, shower, kitchen, fireplace surround
Not recommended for high-traffic floor, steam shower, pool and outdoor use

ENVIRONMENTAL BENEFITS

This product is inherently low emitting
May contribute to LEED credits
Absorbency rate is 14-15%

INSTALLATION

Use a Certified Tile Installer
Recommended 1/8" grout joint
Use sanded or epoxy grout only and seal before and after grout
Please refer to our Installation Guide