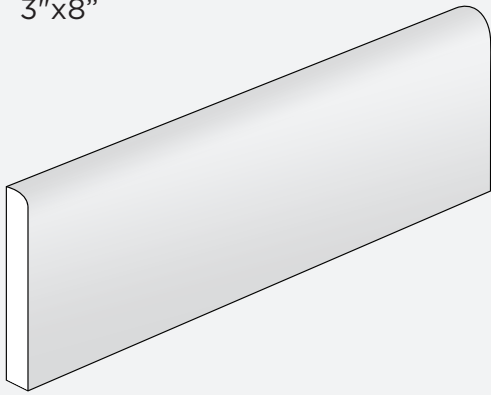


## 3"x8" Bullnose Spec Sheet

Mercury Mosaics creates handcrafted ceramic tile, which may vary slightly in color, size, texture and finish. These characteristics are not flaws but part of what makes each piece of tile unique and one-of-a-kind. We are a female founded and owned company where all products are manufactured in Minneapolis, MN.

**BULLNOSE**  
3"x8"



**Material:** Ceramic

**Approximate single piece size:** 3"x8"

**Tile pieces per linear ft:** 2

**Thickness:** .25"

**Availability:** Made to order

### APPLICATION

Applications for Residential + Commercial

Including low-traffic floor, wall, bathroom, backsplash, shower, kitchen, fireplace surround

Not recommended for high-traffic floor, steam shower, pool and outdoor use

### ENVIRONMENTAL BENEFITS

This product is inherently low emitting

May contribute to LEED credits

Absorbency rate is 14-15%

### INSTALLATION

Use a Certified Tile Installer

Recommended 1/8" grout joint

Use sanded or epoxy grout only and seal before and after grout

Please refer to our Installation Guide